



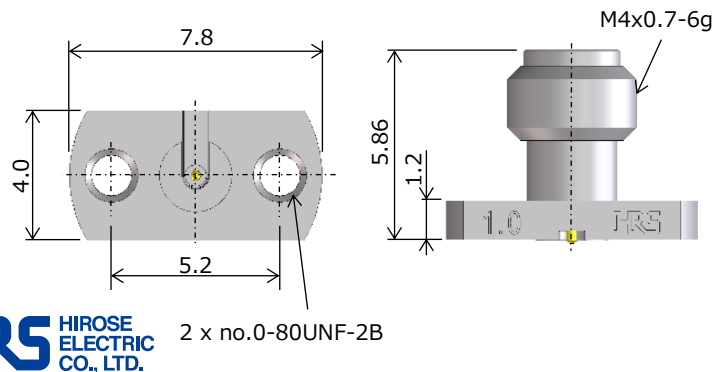
Features

- 1 Complies with IEEE-Std-287 Standard -Receptacle
- 2 Supports up to 110GHz frequency
- 3 Screw mounting
 - Provides superior high-frequency performance with reliable mounting quality
 - Reusable
 - Reduces mounting complexity (No Soldering is required)
- 4 Accommodates flexible PCB thickness with the compression-mount center contact.

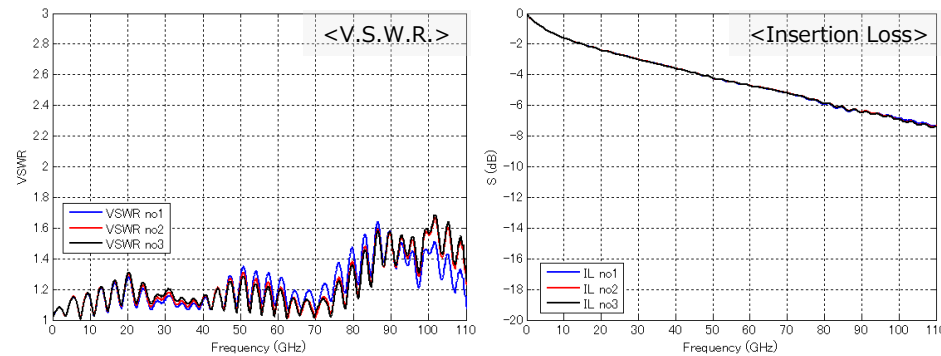
Dimension

● Receptacle

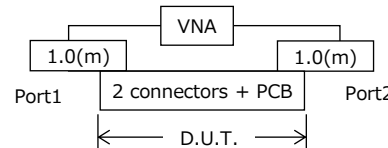
Part No.	HRS No.	Screw Attached
H1.0-R-SR2-S	CL0338-0019-0-00	Without
H1.0-R-SR2-S(14)	CL0338-0019-0-14	With



High Frequency Characteristics



Circuit Diagram



PCB Trace on Top Layer
(Trace Length: 25mm)

Specifications

Characteristic Impedance	50Ω
V.S.W.R.	1.8 Max. (0 to 67GHz)* 1.9 Max. (67 to 110GHz)*
Operating Temperature	0 to +65°C
Contact Resistance	Center: 25mΩ Max., Outer: 6mΩ Max. (100mA DC)
Withstand Voltage	300V AC for 1 min.
Insulation Resistance	500MΩ Min. (250V DC)
Mating Durability	300 times

*This is the value using the evaluation board.